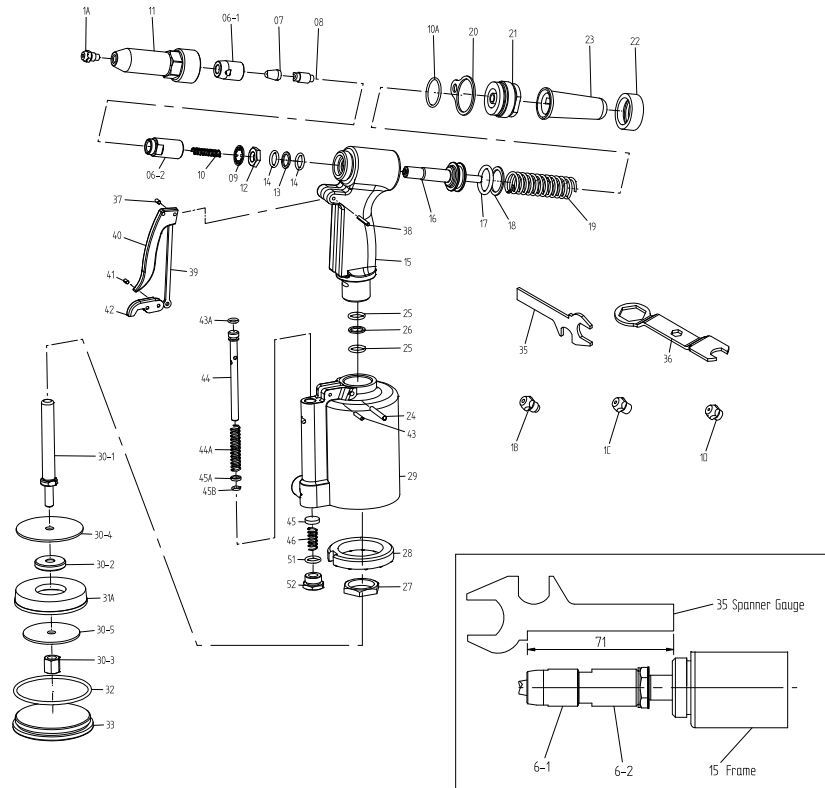


AIR RIVETER – HEAVY DUTY

PROD. NO. 409005
MOD. NO. AR316HDA



REF	PROD NUMBER	DESCRIPTION	REQ	REF	PROD NUMBER	DESCRIPTION	REQ	REF	PROD NUMBER	DESCRIPTION	REQ
1A	PUT-AR316HDA-1A	NOSE PIECE (3/16") 4.8 MM	1	19	PUT-AR316HDA-19	RETURN SPRING	1	35	PUT-AR316HDA-35	SPANNER GAUGE	1
1B	PUT-AR316HDA-1B	NOSE PIECE (5/32") 4.0 MM	1	20	PUT-AR316HDA-20	HANGING CLIP	1	36	PUT-AR316HDA-36	SPANNER	1
1C	PUT-AR316HDA-1C	NOSE PIECE (1/8") 3.2 MM	1	21	PUT-AR316HDA-21	FRAME CAP	1	37	PUT-AR316HDA-37	TRIGGER PIN	1
1D	PUT-AR316HDA-1D	NOSE PIECE (3/32") 2.4 MM	1	22	PUT-AR316HDA-22	FRAME CAP NUT	1	38	PUT-AR316HDA-38	CONNECTOR	1
6-1	PUT-AR316HDA-6-1	JAW CASE FRONT	1	23	PUT-AR316HDA-23	SAFETY CAP	1	39	PUT-AR316HDA-39	TRIGGER ROD	1
6-2	PUT-AR316HDA-6-2	JAW CASE END	1	24	PUT-AR316HDA-24	SETTING SCREW PIN	1	40	PUT-AR316HDA-40	TRIGGER	1
07	PUT-AR316HDA-07	JAW	SET	25	PUT-AR316HDA-25	BACK-UP O RING	2	41	PUT-AR316HDA-41	CONNECTOR	1
08	PUT-AR316HDA-08	JAW PUSHER	1	26	PUT-AR316HDA-26	BACK-UP RING	1	42	PUT-AR316HDA-42	TRIGGER LEVER	1
09	PUT-AR316HDA-09	CASE WASHER RING	1	27	PUT-AR316HDA-27	FRAME LOCK NUT	1	43	PUT-AR316HDA-43	LEVER PIN	1
10	PUT-AR316HDA-10	JAW PUSHER SPRING	1	28	PUT-AR316HDA-28	RUBBER CUSHION	1	43A	PUT-AR316HDA-43A	VALVE PUSHER O RING	1
10A	PUT-AR316HDA-10A	FRAME CAP O RING	1	29	PUT-AR316HDA-29	AIR CYLINDER	1	44	PUT-AR316HDA-44	VALVE PUSHER	1
11	PUT-AR316HDA-11	FRAME HEAD	1	30-1	PUT-AR316HDA-30-1	AIR PISTON STEM	1	44A	PUT-AR316HDA-44A	VALVE SPRING	1
12	PUT-AR316HDA-12	CASE LOCK NUT	1	30-2	PUT-AR316HDA-30-2	AIR PISTON AI	1	45	PUT-AR316HDA-45	VALVE	1
13	PUT-AR316HDA-13	BACK-UP RING	1	30-3	PUT-AR316HDA-30-3	AIR PISTON LOCK NUT	1	45A	PUT-AR316HDA-45A	VALVE COLLAR	1
14	PUT-AR316HDA-14	BACK-UP O RING	2	30-4	PUT-AR316HDA-30-4	BIG IRON PLATE	1	45B	PUT-AR316HDA-45B	COLLAR O RING	1
15	PUT-AR316HDA-15	FRAME	1	30-5	PUT-AR316HDA-30-5	SMALL IRON PLATE	1	46	PUT-AR316HDA-46	VALVE SPRING	1
16	PUT-AR316HDA-16	OIL PISTON	1	31A	PUT-AR316HDA-31A	AIR PISTON O-RING	1	51	PUT-AR316HDA-51	VALVE CAP O-RING	1
17	PUT-AR316HDA-17	OIL PISTON O RING	1	32	PUT-AR316HDA-32	CYLINDER O-RING	1	52	PUT-AR316HDA-52	VALVE CAP	1
18	PUT-AR316HDA-18	BACK-UP RING	1	33	PUT-AR316HDA-33	CYLINDER CAP	1				