



MODEL 400SS 4 TON HEAVY DUTY FLOOR JACK

UPDATED 10-05

PART ORDER NUMBER	KIT DESCRIPTION	KIT INCLUDES		
		REF. #	DESCRIPTION	QTY NEEDED
400SS-1	UPPER HANDLE	1	UPPER HANDLE	1
	LOWER HANDLE	4	LOWER HANDLE	1
400SS-2	HANDLE BOLT	2	HANDLE BOLT	1
400SS-5	HANDLE YOKE BOLT	5	HANDLE YOKE BOLT	1
400SS-6	HANDLE BASE YOKE	6	HANDLE BASE YOKE	1
400SS-11	YOKE BOLT	11	YOKE BOLT	2
400SS-14	CASTER	14	CASTER	2
400SS-19	FRONT WHEEL	19	FRONT WHEEL	2
400SS-20	WASHER	20	WASHER	2
	RETAINING RING	21	RETAINING RING	2
400SS-25	COVER PLATE	25	COVER PLATE	1
400SS-35	SCREW	35	SCREW	1
400SS-36	SADDLE	36	SADDLE	1
400SS-37	HYDRAULIC PUMP	37	HYDRAULIC PUMP	1
400SS-38	SPRING	38	SPRING	2
400SS-40	PIN	40	PIN	1
400SS-41	RUBBER SADDLE PAD	41	RUBBER SADDLE PAD	1

*** ONLY PARTS WITH A "PART ORDER NUM**

DO NOT COPY OR DISTRIBUTE THIS MATERIAL WITHOUT PERMISSION OF AFF, INC.



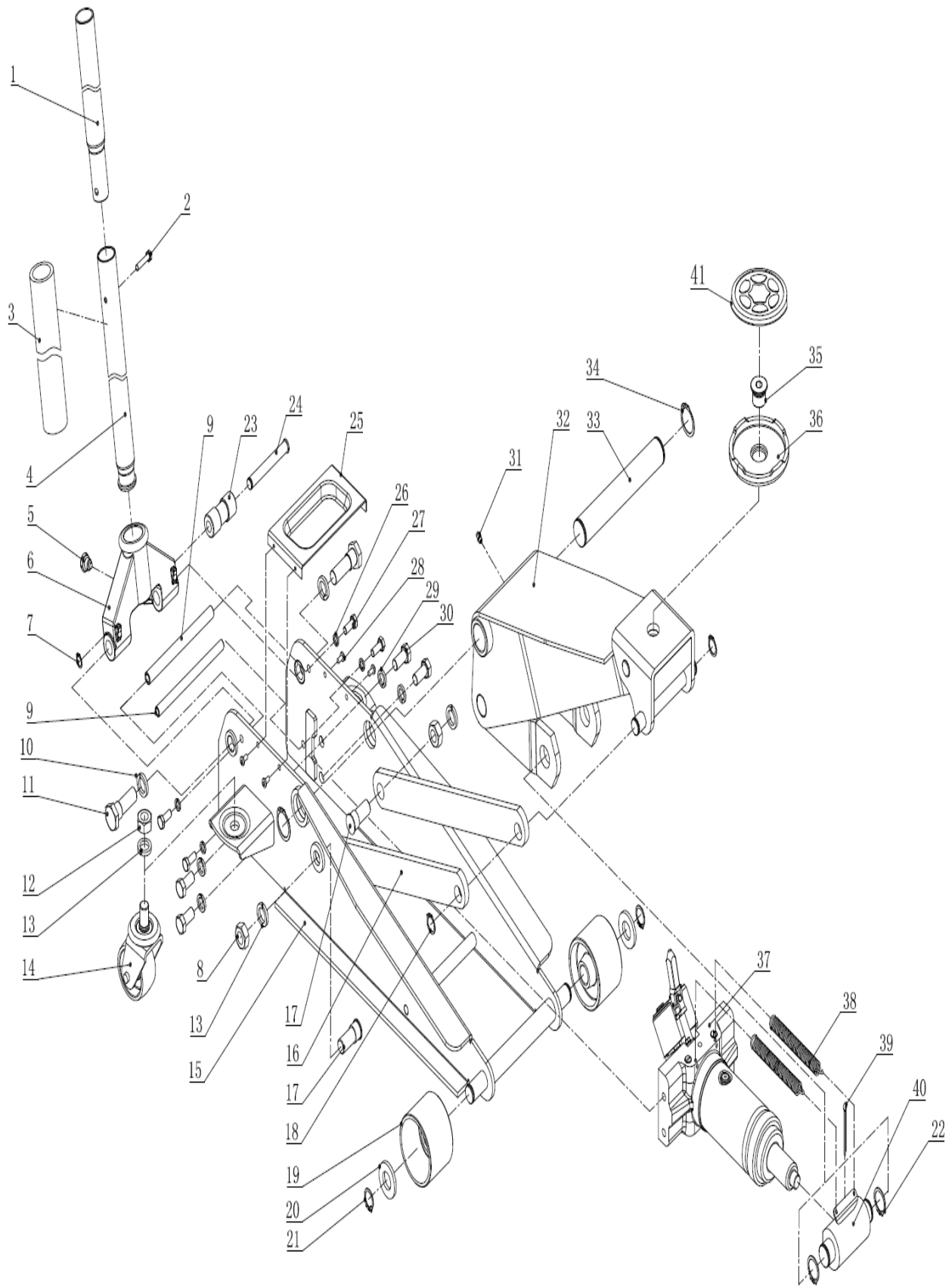
MODEL 400SS 4 TON HEAVY DUTY FLOOR JACK

UPDATED 10-05

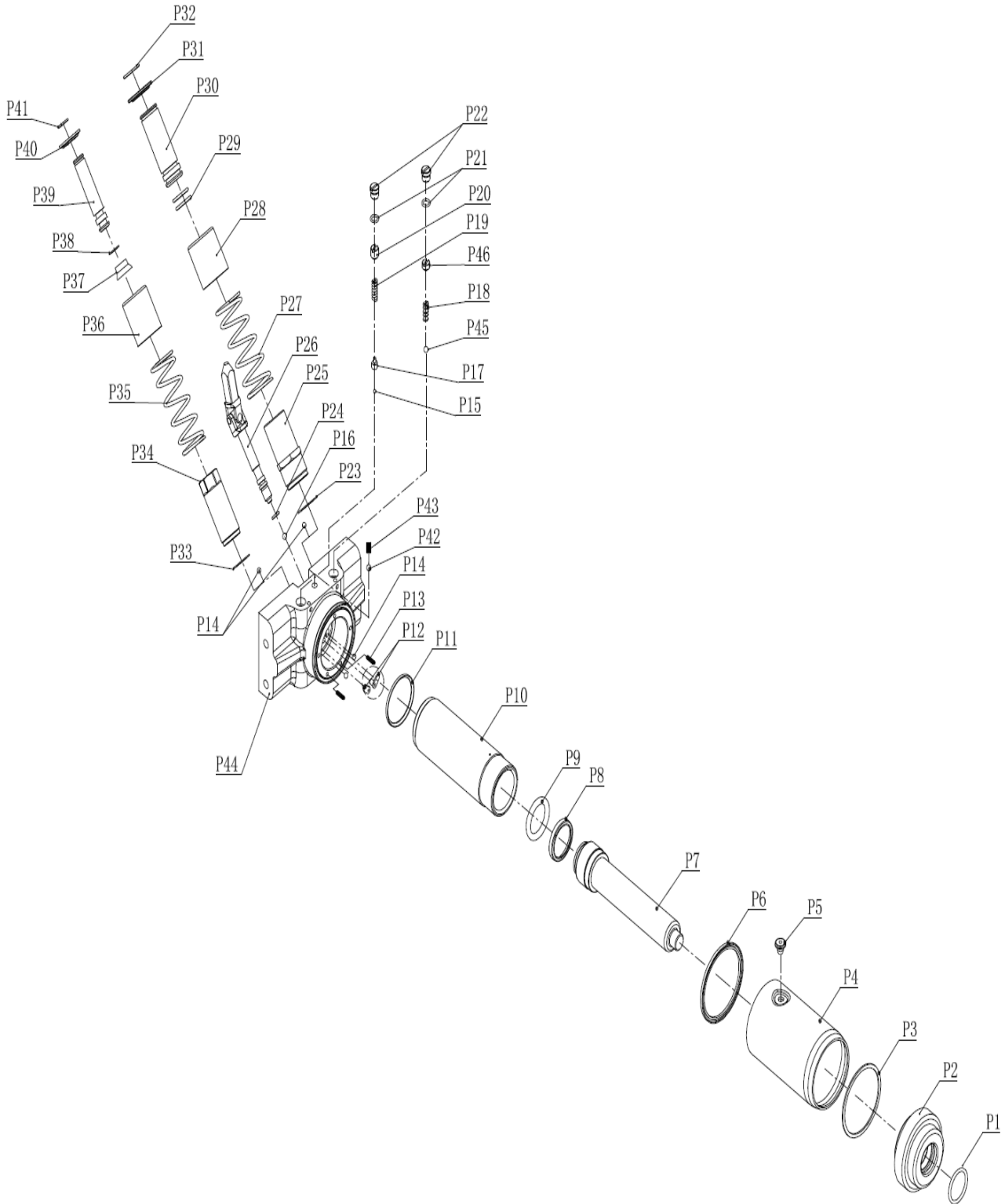
PART ORDER NUMBER	KIT DESCRIPTION	KIT INCLUDES		
		REF. #	DESCRIPTION	
400SS-RK	REPAIR KIT			
	O-RING	P1	O-RING	1
	WASHER	P3	WASHER	1
	OIL PLUG	P5	OIL PLUG	1
	WASHER	P8	WASHER	1
	O-RING	P9	O-RING	1
	WASHER	P11	WASHER	1
	FIX PLATE	P12	FIX PLATE	2
	FILTER	P13	FILTER	2
	STEEL BALL	P14	STEEL BALL	4
	STEEL BALL	P15	STEEL BALL	1
	STEEL BALL	P16	STEEL BALL	1
	STEEL BALL BASE	P17	STEEL BALL BASE	2
	SPRING	P18	SPRING	1
	SPRING	P19	SPRING	1
	SCREW	P20	SCREW	1
	O-RING	P21	O-RING	2
	SCREW	P22	SCREW	2
	WASHER	P23	WASHER	1
	O-RING	P24	O-RING	1
	PUMP CORE BASE	P25	PUMP CORE BASE	1
	RELEASE VALVE	P26	RELEASE VALVE	1
	SPRING	P27	SPRING	1
	SPRING POTECTION	P28	SPRING POTECTION	1
	O-RING	P29	O-RING	2
	SPRING BASE	P31	SPRING BASE	1
	RETAINING RING	P32	RETAINING RING	1
	WASHER	P33	WASHER	1
	PUMP CORE BASE	P34	PUMP CORE BASE	1
	SPRING	P35	SPRING	1
	U-BOLT	P37	U-BOLT	1
	WASHER	P38	WASHER	1
	PUMP CORE	P39	PUMP CORE	1
	RETAINING RING	P40	RETAINING RING	1
	RETAINING RING	P41	RETAINING RING	1
	STEEL BALL	P42	STEEL BALL	1
	SCREW	P43	SCREW	1
	STEEL BALL	P45	STEEL BALL	1
	SCREW	P46	SCREW	1

* ONLY PARTS WITH A "PART ORDER NUMBER" ARE AVAILABLE FOR SALE.

DO NOT COPY OR DISTRIBUTE THIS MATERIAL WITHOUT PERMISSION OF AFF, INC.



MODEL 400SS 4 TON HEAVY DUTY FLOOR JACK EXPLODED VIEW



*** ONLY PARTS WITH A "PART ORDER NUMBER" ARE AVAILABLE FOR SALE.**

DO NOT COPY OR DISTRIBUTE THIS MATERIAL WITHOUT PERMISSION OF AFF, INC.