



Model: 55040

Model: 55060

4 & 6 Ton Ratchet Style Jack Stands

Operating Instructions

Ratchet Style Jack Stands



Model No.	Capacity	Base Size	Min. Height	Max Height
55040	4 Ton	8-7/16" x 7-1/16"	14"	21"
55060	6 Ton	11 x 9-3/4"	15 - 3/4"	24 - 3/8"

SAFETY & WARNING INFORMATION



This is the safety notification symbol. This symbol will notify you of any potential injury hazards. Please follow all instructions that follow this symbol to avoid possible injuries or death.



Indicates a hazardous situation. If proper steps are not followed, death or serious injury could result.

IMPORTANT: READ ALL INSTRUCTIONS BEFORE USE

Before using these jack stands, be sure to read all content within this manual, ensuring that you understand the operating procedures, maintenance requirements and all safety warnings.

The owner and/or operator shall have an understanding of the product, its operating characteristics, and safety operating instructions before operating this device. Safety information shall be emphasized and understood. If the operator is not fluent in English, the product and safety instructions shall be read to and discussed with the operator in the operator's native language by the purchaser/owner or his designee, making sure that the operator comprehends their contents.

⚠️ WARNING **Actions to help prevent dangerous situations**

- Study, understand and follow all instructions before operating this device.
- Maximum load capacity per matched pair shall not exceed the rated capacity of the individual stand.
- Use only on hard, level surfaces.
- No alterations shall be made to this product.
- Stands are not to be used to simultaneously support both ends of a vehicle.
- Use as a matched pair only
- Use stands to support one end of a vehicle only.
- Center load on saddle.
- Failure to heed these warnings may result in serious personal injury and/or property damage.

Inspection

- This device shall be inspected immediately if the device is believed to have been subjected to an abnormal load or shock. It is recommended that this inspection be made by a manufacturer's or supplier's authorized repair facility.
- Owners and/or operators should be aware that repair of this equipment may require specialized knowledge and facilities. It is recommended that an annual inspection of the product be made by a manufacturer's or supplier's authorized repair facility and that any defective parts, decals, or safety labels or signs be replaced with manufacturer's or supplier's specified parts.

Damaged Equipment and Add-Ons

Any jack stand that appears to be damaged, is found to be worn or operates abnormally in any way will be **removed from service and destroyed immediately.**

Alterations

Because of potential hazards associated with this type of equipment, no alterations shall be made to the product.

Attachments and Adapters

Only attachments and/or adapters supplied by the manufacturer shall be used.

Setup

- Prior to each use, visual inspection (See Pg.2) shall be made to the device by checking for abnormal conditions, such as cracked welds, damaged, loose or missing parts.
- Consult the vehicle owner's manual to determine the location of support points.
- Be sure to set the vehicle in park with the emergency brake on and wheels securely chocked.
- Be sure that the vehicle and the jack stands are on a hard, level surface.

Assembly

- Insert ratchet bar into collar.
- Lift ratchet bar upward to ensure the ratchet and locking pawl positively engage at each and every position.
- To lower, lift the handle, disengage the locking pawl from the ratchet bar and slowly move the ratchet bar down.
- Use a hammer and punch to bend the locking tab inward (4 & 6 Ton). This will prevent the ratchet bar from accidentally coming loose.

Operation

Supporting a Load

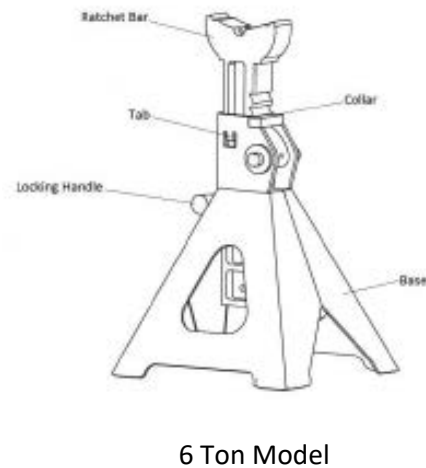
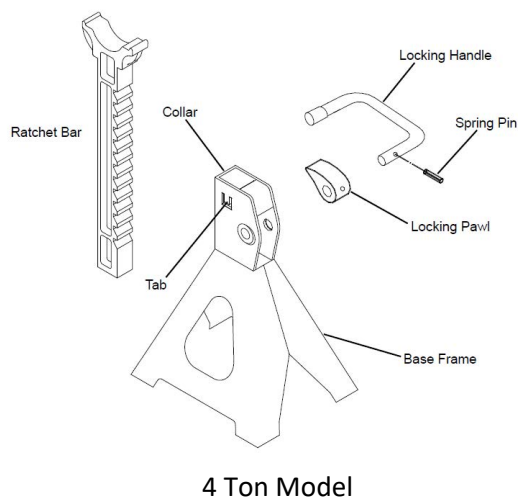
- Pull the ratchet bar up to desired position, ensure pawl and ratchet bar are securely engaged.
- Slowly lower the vehicle onto the stand. Be sure the load is centered on saddle.
- Ensure vehicle is secure and stable before working around or under vehicle.

Lowering Load

- Using a suitable jack, lift the vehicle clear of the jack stands.
- Disengage locking pawl from ratchet bar by raising the handle and adjust ratchet bar to lowest position.
- Remove stands. Follow procedures of jack operation to lower vehicle.

Maintenance

Inspect each stand before use. Ensure all parts move freely. Only apply grease to the locking handle pivot point of this product and ensure all excess grease is wiped away before stand is used. If rust appears, sand away the rust area and cover with appropriate utility paint. Please note that there are no replacement parts available for this product.



ONE YEAR LIMITED WARRANTY

For a period of one (1) year from your purchase date, AFF will repair or replace (at its option), without charge, your AFF product if it was purchased new and the product has failed due to a defect in material or workmanship which you experienced during normal use of the product. This limited warranty is your exclusive remedy.

To access the benefits of this warranty, contact AFF at 1-800-323-7402 for confirmation that this warranty applies. Thereafter, you may be advised to return the product under warranty, freight prepaid, to the AFF service department.

If this AFF product is altered, abused, misused, modified or undergoes service by an unauthorized technician, your warranty will be void. We are not responsible for damage to ornamental designs you place on this AFF product and such ornamentation should not cover any warnings or instructions or they may void the warranty. This warranty does not cover scratches, superficial dents and other abrasions to the paint finish that occur under normal use.

Subject to the law in your state:

- (1) Your sole and exclusive remedy is repair or replacement of the defective product as described above.
- (2) AFF is not liable for any incidental damages, including but not limited to, lost profits and unforeseeable consequences.
- (3) The repair and replacement of this product under the express limited warranty described above is your exclusive remedy and is provided in lieu of all other warranties, express or implied. All other warranties, including implied warranties and warranties of merchantability or fitness for a particular purpose are disclaimed and, if disclaimer is prohibited, these warranties are limited to one year from your date of purchase of this product.

Some states' laws do not allow limited durations on certain implied warranties and some states' laws do not allow limitations on incidental or consequential damages. You should consult the law in your state to determine how your rights may vary.

Toll Free Service Number 1-800-323-7402

Printed In China