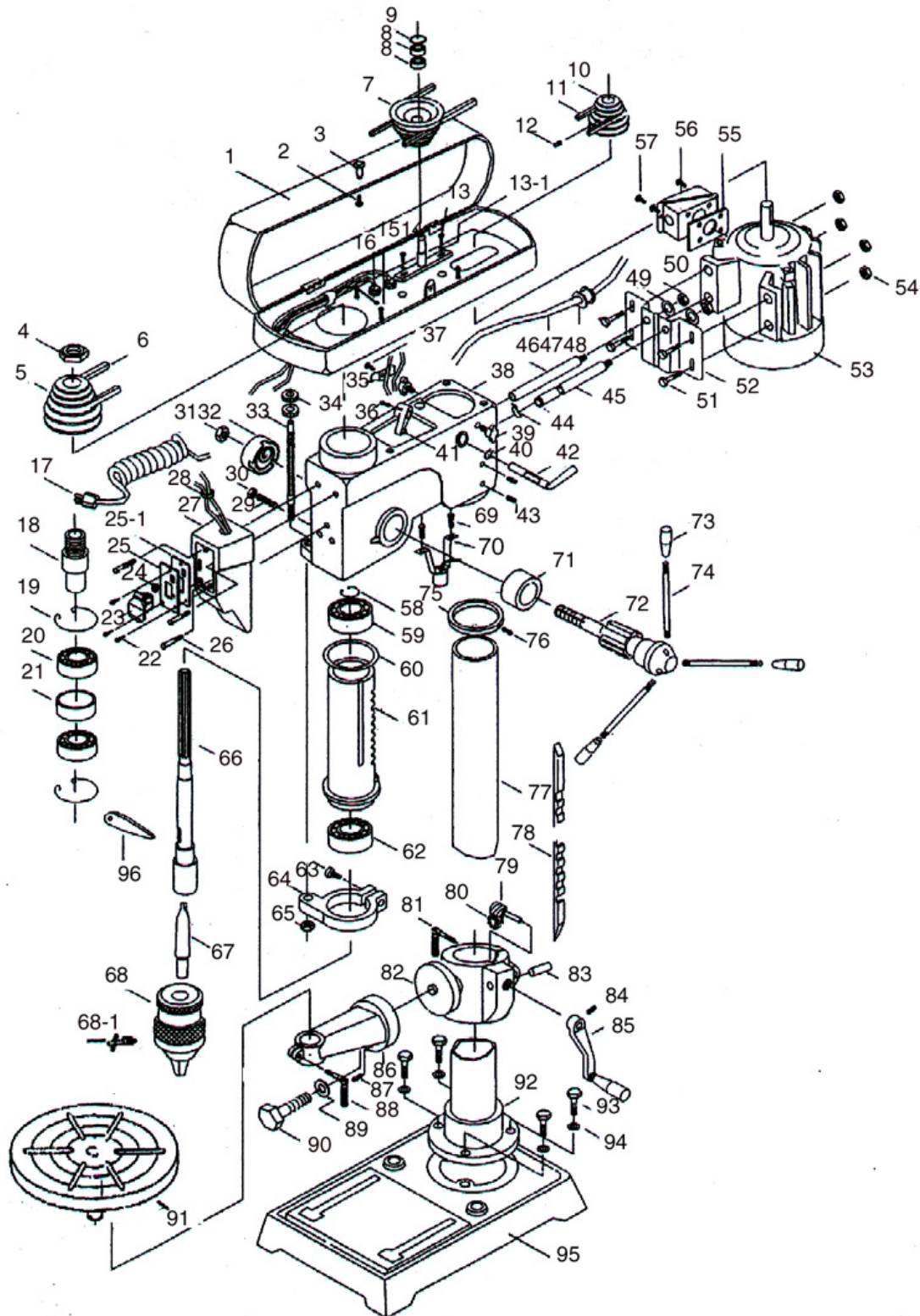


JDP-17F 17" FLOOR DRILL PRESS PRODUCT # 200278



JDP-17F 17" FLOOR DRILL PRESS PRODUCT # 200278

REF	PART NUMBER	DESCRIPTION	REQ	REF	PART NUMBER	DESCRIPTION	REQ
01	PDN-JDP-1701	GUARD COVER	1	50	PDN-JDP-1750	NUT	2
02	PDN-JDP-1702	PAN HEAD SCREW	1	51	PDN-JDP-1751	HEX HEAD SCREW	4
03	PDN-JDP-1703	KNOB	1	52	PDN-JDP-1752	MOTOR MOUNT	1
04	PDN-JDP-1704	NUT	1	53	PDN-JDP-1753	MOTOR	1
05	PDN-JDP-1705	SPINDLE PULLEY	1	54	PDN-JDP-1754	NUT	4
06	PDN-JDP-1706	V-BELT	1	55	PDN-JDP-1755	RUBBER	1
07	PDN-JDP-1707	MIDDLE PULLEY	1	56	PDN-JDP-1756	JUNCTION BOX	1
08	PDN-JDP-1708	BALL BEARING	2	57	PDN-JDP-1757	SCREW	1
09	PDN-JDP-1709	RETAINING RING	1	58	PDN-JDP-1758	RETAINING RING	1
10	PDN-JDP-1710	MOTOR PULLEY	1	59	PDN-JDP-1759	BALL BEARING	1
11	PDN-JDP-1711	V-BELT	1	60	PDN-JDP-1760	RUBBER WASHER	1
12	PDN-JDP-1712	SET SCREW	1	61	PDN-JDP-1761	QUILL	1
13	PDN-JDP-1713	SCREW	2	61A	PDN-JDP-1761A	QUILL	1
13-1	PDN-JDP-1713-1	WASHER	2	62	PDN-JDP-1762	THRUST BEARING	1
14	PDN-JDP-1714	PULLEY SUPPORT PLATE	1	63	PDN-JDP-1763	SCREW	1
15	PDN-JDP-1715	SCREW	2	64	PDN-JDP-1764	CLAMPING SEAT DEPTH STOP	1
16	PDN-JDP-1716	CORD PROTECT	1	65	PDN-JDP-1765	LOCK NUT	1
17	PDN-JDP-1717	ELECTRICAL CORD	1	66	PDN-JDP-1766	SPINDLE	1
18	PDN-JDP-1718	PULLEY INSERT	1	66A	PDN-JDP-1766A	SPINDLE LONGER	1
19	PDN-JDP-1719	RETAINING RING	2	67	PDN-JDP-1767	ARBOR	1
20	PDN-JDP-1720	BALL BEARING	2	68	PDN-JDP-1768	CHUCK	1
21	PDN-JDP-1721	BEARING SPACER	1	68-1	PDN-JDP-1768-1	KEY	1
22	PDN-JDP-1722	PAN HEAD SCREW	3	69	PDN-JDP-1769	SCREW	2
22	PDN-JDP-1722A	PAN HEAD SCREW	3	70	PDN-JDP-1770	LAMP BRACKET	1
23	PDN-JDP-2227B	START/STOP SWITCH	1	71	PDN-JDP-1771	SPACER	1
24	PDN-JDP-1337	LIGHT SWITCH TOGGLEBUTTON		72	PDN-JDP-1772	PINION, FEED	1
24A	PDN-JDP-2229A	LIGHT SWITCH PUSH BUTTON	1	73	PDN-JDP-1773	KNOB	3
26	PDN-JDP-1726	PAN HEAD SCREW	3	73A	PDN-JDP-1773A	KNOB	3
27	PDN-JDP-1727	BOX SWITCH PLATE	1	74	PDN-JDP-1774	HANDLE	3
28	PDN-JDP-1728	CORD CLAMP	1	74A	PDN-JDP-1774A	HANDLE (235MM)	3
29	PDN-JDP-1729	BOLT	1	75	PDN-JDP-1775	RACK COLLAR	1
30	PDN-JDP-1730	HEX. NUT	1	76	PDN-JDP-1776	SET SCREW	1
31	PDN-JDP-1731	HEX. NUT	1	77	PDN-JDP-1777	COLUMN	1
32	PDN-JDP-1732	TENSION SPRING ASS'Y	1	78	PDN-JDP-1778	RACK GEAR	1
33	PDN-JDP-1733	POST DEPTH STOP	1	79	PDN-JDP-1779	ELEVATING WORM	1
34	PDN-JDP-1734	LOCK NUT	2	80	PDN-JDP-1780	GEAR	1
35	PDN-JDP-1735	CORD CLAMP	1	81	PDN-JDP-1781	BOLT CLAMP	1
36	PDN-JDP-1736	LOCK PIN	1	82	PDN-JDP-1782	TABLE ARM BRACKET	1
37	PDN-JDP-1737	SCREW	1	83	PDN-JDP-1783	GEAR SHAFT	1
38	PDN-JDP-1738	HEAD	1	84	PDN-JDP-1784	SET SCREW	1
39	PDN-JDP-1739	THUMB SCREW	1	85	PDN-JDP-1785	SLEEVE AND ROD ASS'Y	1
40	PDN-JDP-1740	RETAINING RING	1	86	PDN-JDP-1786	TABLE BRACKET	1
41	PDN-JDP-1741	ADJUSTING LEVER	1	87	PDN-JDP-1787	SET SCREW	1
42	PDN-JDP-1742	LEVER SHAFT ASS'Y	1	88	PDN-JDP-1788	TABLE LOCK HANDLE	1
43	PDN-JDP-1743	SET SCREW	2	89	PDN-JDP-1789	WASHER	1
44	PDN-JDP-1744	RETAINING RING	1	90	PDN-JDP-1790	BLOT	1
45	PDN-JDP-1745	MOTOR SUPPORT BRACKET	1	91	PDN-JDP-1791	TABLE	1
46	PDN-JDP-1746	MOTOR SUPPORT BRACKET	1	92	PDN-JDP-1792	FLANGE	1
47	PDN-JDP-1747	ELECTRICAL CORD	1	93	PDN-JDP-1793	BOLT	4
48	PDN-JDP-1748	STRAIN RELIEF	1	94	PDN-JDP-1794	SPRING WASHER	4
49	PDN-JDP-1749	SPRING WASHER	2	95	PDN-JDP-1795	BAKE	1

JDP-17F 17" FLOOR DRILL PRESS PRODUCT # 200278



RE SWITCH WITH THE GREEN AND RED START AND STOP SWITCH IS NO LONGER AVAILABLE . THIS WAS REPLACED WITH THE SWITCH WITH THE LARGE OFF PLATE ON THE FRONT . THIS SWITCH IS ONLY GOOD FOR 115 VOLT . PART NUMBER PDN-JDP-2227B. THIS IS USED ON ALL CURRENT MODELS . IF THEY NEED TO CONVERT TO 220 VOLT YOU WILL NEED TO ORDER SWITCH NUMBER PDN-JDP-1338 AND PLATE NUMBER PDN-JDP-1725. YOU WILL ALSO NEED TO PURCHASE A NEW LIGHT SWITCH PDN-JDP-1337 TO ATTACH TO THE PLATE . THIS PLATE WILL SCREW INTO THE HOUSING WERE YOU REMOVED THE SWITCH FROM .