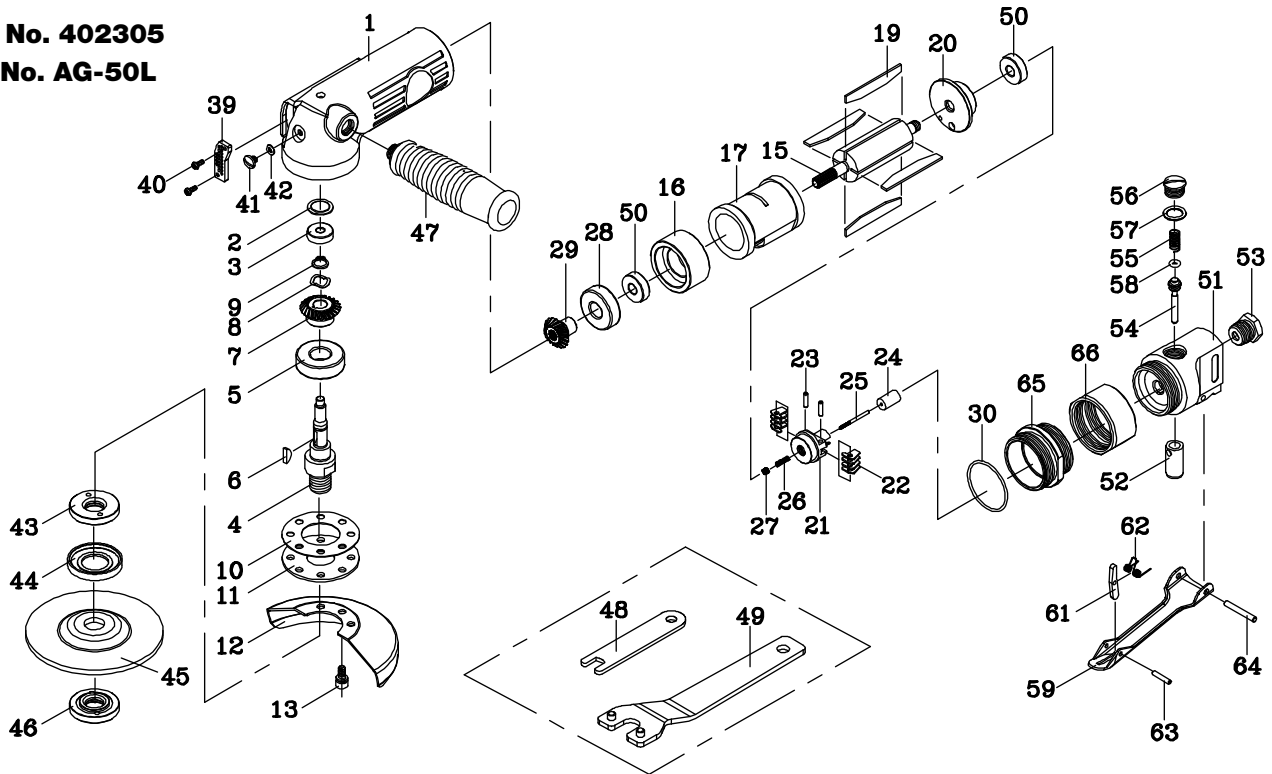


# 5" Angle Grinder

Prod. No. 402305

Mod. No. AG-50L



REF	PART NUMBER	DESCRIPTION	REQ	REF	PART NUMBER	DESCRIPTION	REQ	REF	PART NUMBER	DESCRIPTION	REQ
1	PUT-DG40001	MOTOR HOUSING	1	23	PUT-DG40K03	PLUNGER	1	54	PUT-DG40054	VALVE STEM	1
2	PUT-DG40002	SEAL PLATE	1	24	PUT-DG40K03	ADJUSTMENT SCREW	1	55	PUT-DG40055	VALVE SPRING	1
3	PB626-2Z	BALL BEARING	1	25	PUT-DG40K03	SPRING	1	56	PUT-DG40056	THROTTLE HOUSING	1
4	PUT-DG40004	ARBOR 10 MM x 1.25"	1	26	PUT-DG40K03	ADJUSTMENT NUT	1	57	PUT-DG40K05	O-RING	1
5	PB6202-2Z	BALL BEARING	1	27	PB6201-2Z	BALL BEARING	1	58	PUT-DG40K05	O-RING	1
6	PUT-WK0313A	WOODRUFF KEY	1	28	PUT-DG40K04	BEVELED GEAR	1	59	PUT-DG40059	THROTTLE LEVER	1
7	PUT-DG40K04	BEVELED GEAR	1	29	PUT-DG40030	O-RING	1	61	PUT-DG40K02	THROTTLE LEVER LOCK	1
8	PUT-WW0010	WAVE WASHER	1	39	PUT-DG40039	EXHAUST DEFLECTOR	1	62	PUT-DG40K02	THROTTLE SPRING	1
9	PUT-STW010	EXTERNAL STOP RING	1	40	PUT-T23008B	TAPPING SCREW	2	63	PUT-DG40K02	THROTTLE PIN	1
10	PUT-DG40010	GASKET	1	41	PUT-PG38043	PLUG	1	64	PUT-SP40300	SPRING PIN	1
11	PUT-DG40011	RETAINER	1	42	PUT-ORP0040	O-RING	1	65	PUT-DG40065	LOCK RING	1
12	PUT-DG50012	CENTRE WHEEL GUARD	1	43	PUT-AG50052	FLANGE	1	66	PUT-DG40066	COUPLING NUT	1
13	PUT-B20512A	HEX SOCKET CAP BOLT	5	44	PUT-AG50053	FLANGE RUBBER SHIELD	1	XX	PUT-DG40K01	THROTTLE VALVE KIT	1
14	PUT-DG40015	ROTOR	1	45		GRINDING WHEEL	1	XX	PUT-DG40K02	THROTTLE LEVER KIT	1
15	PUT-DG40016	FRONT END PLATE	1	46	PUT-AG50054	FLANGE NUT	1	XX	PUT-DG40K03	GOVERNOR KIT	1
16	PUT-VP70017	CYLINDER	1	47	PUT-AP70047	HANDLE	1	XX	PUT-DG40K04	BEVEL GEAR KIT	1
17	PUT-SP30060	SPRING PIN	1	48	PUT-DG40048	WRENCH (A)	1	XX	PUT-DG40K05	O-RING KIT	1
18	PUT-VP70014	ROTOR BLADE (4)	4	49	PUT-AG70057	WRENCH (B)	1	XX	PUT-DG99999	5/8" x 11" EXTERNAL THREAD ADAPTER	1
19	PUT-VP70013	REAR END PLATE	1	50	PB608-2Z	BALL BEARING	2				
20	PUT-DG40K03	AIR GOVERNOR	1	51	PUT-DG40K01	THROTTLE VALVE HOUSING	1				
21	PUT-DG40K03	PENDULUM	8	52	PUT-DG40K01	BUSHING	1				
22	PUT-DG40K03	SPLINED PIN	2	53	PUT-DG40K01	AIR INTAKE BUSHING	1				