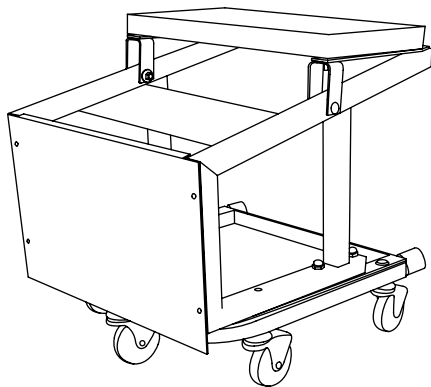
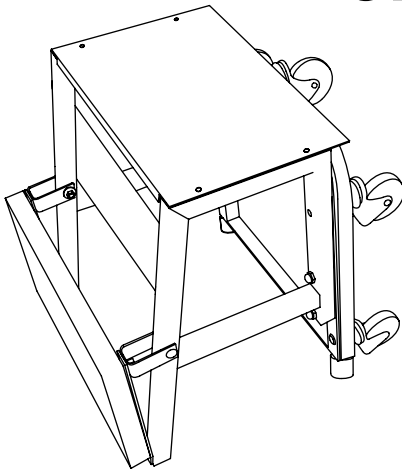


Prod. No. 355164
Mod. No. JMSS-3920

Capacity:
350 lbs Seat
400 lbs Stool

2-Way Mechanic's Seat/Step Combo *Owner's Manual*



SAFETY AND GENERAL INFORMATION

For your safety, read, understand, and follow the information provided with and on this seat/step. The owner and operator shall have an understanding of this product and safe operating procedures before attempting to use. The owner and operator shall be aware that use of this product may require special skills and knowledge. Instructions and safety information shall be conveyed in the operator's native language before use of this product is authorized. Make certain that the operator thoroughly understands the inherent dangers associated with the use and misuse of the product. If any doubt exists as to the safe and proper use of this product, remove from service immediately.

Inspect before each use. Do not use if there are broken, bent, cracked, or damaged parts (including labels). Any seat/step that appears damaged in any way, or operates abnormally shall be removed from

service immediately. If the seat/step has been subjected to a shock load (a load dropped suddenly, unexpectedly upon it), immediately discontinue use until it has been inspected by a SureWerx authorized service center. It is recommended that an annual inspection be done by qualified personnel. Labels and Operator's Manuals are available from manufacturer.

PRODUCT DESCRIPTION

This device is a 2-in-1 creeper seat and step stool. When used as a creeper seat, it will support and move rated capacity loads consisting of a single person weighing no more than 350 lbs. In the step stool position, this device will support a 400 lbs rated capacity load. This device is not intended, designed or engineered to be used for any other purpose.

Rated capacity consists of: 1 person, tools, and equipment totaling 400 lbs or less (350 lbs seated).

SPECIFICATIONS

Prod. No.	Model No.	Rated Capacity	Seat Size	Stool Size	Weight
355164	JMSS-3920	350 lbs Seat 400 lbs Stool	14" x 9-1/2"	14" x 9"	22.5 lbs

⚠ WARNING: Do not use this device for any purpose other than that for which it is expressly intended.

PREPARATION/ASSEMBLY

Before assembling your creeper/step stool, make sure all parts are present. If any part is missing or damaged, do not attempt to assemble or use the product. Contact customer service for replacement parts.

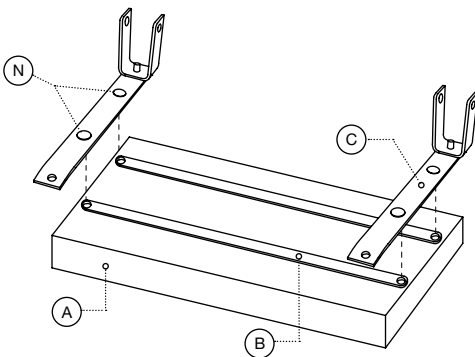


Figure 1 – Seat Cushion Assembly

1. With the Seat Cushion (A) facing down, align the holes of the Crossbars (B) with the seat. Then align the holes of the Seat Supports Bars (C) and attach with four M6 x 16 Phillips Head Screws. (N) (Fig. 1).

Item	Description	Qty
A	Seat Cushion	1
B	Cross Bars	2
C	Seat Support Bar w/ "U" Bracket	2
D	Side Frame	2
E	Tool Tray	1
F	Caster Frame	1
G	Creeper Step	1
H	Caster	5
I	Warning Plate	1
J	M6 x 12 Hex Head Bolt	4
K	M8 x 60 Hex Head Bolt	4
L	M8 Washer	4
M	M8 Acorn Nut	4
N	M6 x 16 Phillips Head Screw	10
O	M6 x 40 Phillips Head Screw	2
P	M6 Washer	4
Q	M6 Lock Nut	4

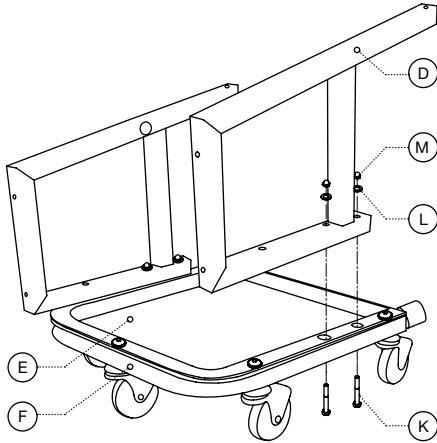


Figure 2 – Assembling Tool Tray and Casters

2. Attach two creeper Side Frames (D) to Caster Frame (F) with two M8 x 60 Hex Head Bolts (K), two Washers (L) and two Acorn Nuts (M) each (Fig 2).

⚠ WARNING

- Read, understand, and follow all instructions before using this device.
- Never use a creeper/step stool that is damaged.
- Clean any mud, grease, oil, or slippery liquids before using creeper/step stool.
- Do not exceed rated capacity. Rated capacity is 350 lbs as a seat and 400 lbs as a stool (includes user, tools, and equipment).
- Sit down gently. Avoid shock loads caused by jumping or falling on seat.
- Do not stand on seat.
- When used as a step stool, device must be on firm, level surface with all four legs contacting ground.
- Make sure step stool is appropriate height for intended purpose. Do not overreach.
- Only one person shall use step stool at a time.
- Keep out of the reach of children. This device is not appropriate for children's use.
- Use on hard, level surfaces capable of supporting the load.

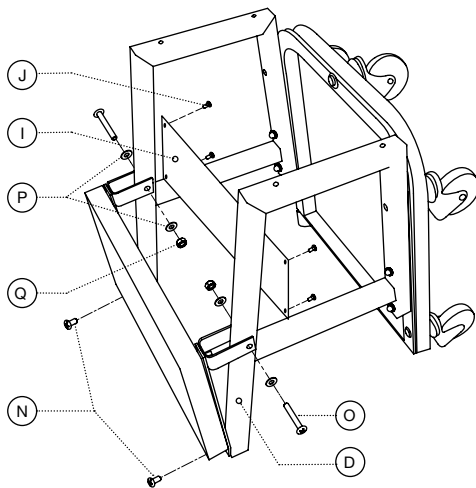


Figure 3 – Attaching Creeper Seat

3. Attach creeper Seat Cushion Assembly to creeper Side Frames (D) using two M6 x 40 Phillips Head Screws (O), with Washers (P), and Nuts (Q), and two M6 x 16 Phillips Head Screws (N). Then attach the Warning Plate (I) with four M6 x 12 Hex Head Bolts (J) (Fig. 3).

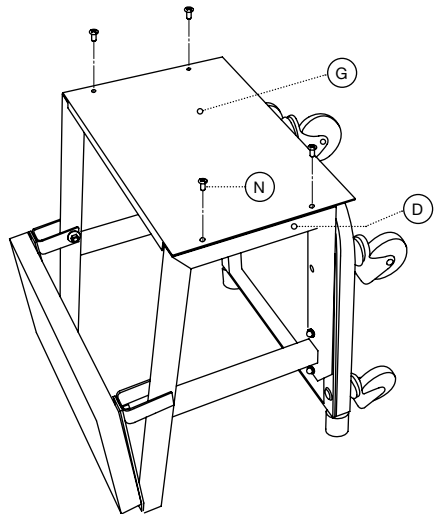


Figure 4 – Attaching Step to Side Frames

4. Fasten Creeper Step (G) to Side Frames (D) using four M6 x 16 Phillips Head Screws (N). Ensure that the Creeper Step (G) sit securely between the Side Frames (D) before tightening the screws (Fig. 4).

MAINTENANCE

Wipe clean as needed. Use mild upholstery cleaner (not caustic) to clean cushions.

⚠ CAUTION: *Do not add lubricant to casters.*

REPLACEMENT PARTS LIST

Item	Part No.	Description	Qty
1	PCN-JMSS3920-1	Caster Assembly	5
2	PCN-JMSS3920-2	Hardware Kit	1