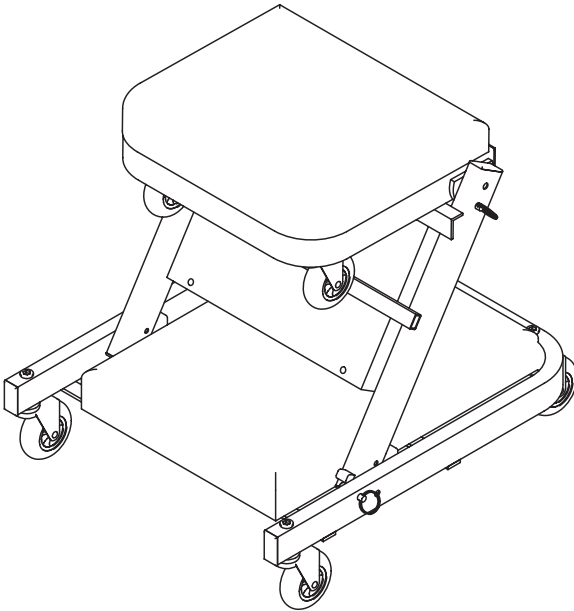


**Prod. No. 355122**  
**Mod. No. JFCS-3915**

**Capacity:**  
450 lbs  
(300 lbs Seat)

# **2-Way Folding Creeper/Seat *Owner's Manual***



### SAFETY AND GENERAL INFORMATION

For your safety, read, understand, and follow the information provided with and on this folding creeper. The owner and operator shall have an understanding of this product and safe operating procedures before attempting to use. The owner and operator shall be aware that use of this product may require special skills and knowledge. Instructions and safety information shall be conveyed in the operator's native language before use of this product is authorized. Make certain that the operator thoroughly understands the inherent dangers associated with the use and misuse of the product. If any doubt exists as to the safe and proper use of this product, remove from service immediately.

**Inspect before each use.** Do not use if there are broken, bent, cracked, or damaged parts (including labels). Any folding creeper that appears damaged in any way or operates abnormally shall be removed from service immediately. If the folding creeper has been

subjected to a shock load (a load dropped suddenly, unexpectedly upon it), immediately discontinue use until it has been inspected by a SureWex authorized service center. It is recommended that an annual inspection be done by qualified personnel. Labels and Operator's Manuals are available from manufacturer.

### PRODUCT DESCRIPTION

This device is designed to be folded for use as a mechanic's seat or unfolded for use as a mechanic's creeper. It is intended to be used to support and move, along a smooth and level surface, rated capacity loads consisting of a single person weighing no more than 450 lbs for the purpose of performing automotive maintenance or service. This device is not intended, designed or engineered to be used for any other purpose.

Rated capacity consists of: 1 person, tools, and equipment totalling 450 lbs or less (300 lbs seated).

### SPECIFICATIONS

Prod. No.	Mod. No.	Rated Capacity	Seat Size	Creeper Size	Weight
355122	JFCS-3915	450 lbs (300 lbs seated)	13.875" x 13"	40" x 17.9"	23 lbs

**⚠ WARNING:** Do not use this device for any purpose other than that for which it is expressly intended.

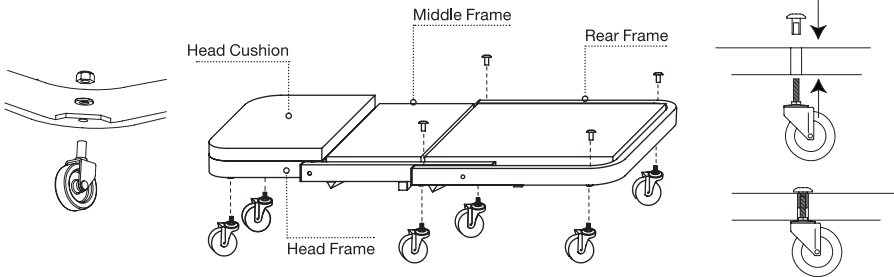


Figure 1 – Product 355122 Components

## ⚠ CAUTION

Folding components can present pinch and crush hazards during normal use of this product. Exercise caution when performing adjustments and while assembling and using this equipment.

## ⚠ WARNING

- Read, understand, and follow all instructions before operating this device.
- Do not exceed rated capacity. Rated capacity is 450 lbs including user, tools, equipment and personal items (300 lbs seated).
- Sit down gently. Avoid shock loads caused by jumping or falling onto seat.
- Do not stand on seat.
- Beware of pinch and crush hazards when folding and unfolding.
- Keep out of the reach of children! This device is not appropriate for children's use.
- Use on smooth, level surfaces only.

### PREPARATION

Before assembling your Folding Creeper, make sure all parts are present. If any part is missing or damaged, do not attempt to assemble or use the product. Contact SureWerx customer service for replacement parts.

Package Contents: 1 Head Frame Section, 1 Middle Frame Section, 1 Rear Frame Section, 4 Hex Bolts, 10 Washers, 6 Hex Nuts, 6 Casters, 4 Caster Fasteners.

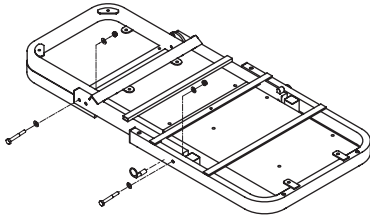


Figure 2 – Creeper Frame assembly

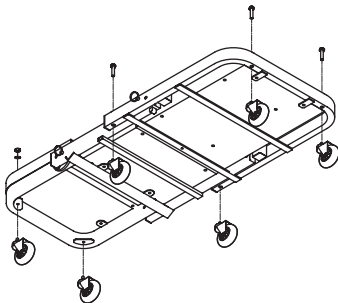


Figure 3 – Attaching Creeper Casters

### ASSEMBLY INSTRUCTIONS

1. Place Creeper Sections face down, arranged as shown in Fig. 2 (note Middle Section orientation).

2. Connect Creeper Sections using Hex Bolts, Washers, and Nuts. Tighten Nuts firmly, but not enough to bind Creeper adjustment.
3. Insert Lock Pin into hole in frame side. Check for proper operation.
4. Using the included open-end wrench, attach two Casters to the threaded holes in the Head Frame section. Use a 5 mm hex key to fasten the remaining four Casters to the Creeper Frame. Insert the threaded Fasteners from the top and the Casters from the bottom, then tighten with hex key.

### OPERATING INSTRUCTIONS

1. Unlock the spring-loaded Lock Pin by pulling out until disengaged, at the same time rotate the Head Frame and Middle Frame upward and back towards the Rear Frame section until the Lock Pin can engage the Creeper Seat Locking Sleeve (Fig. 4). Ensure Lock Pin is fully engaged.

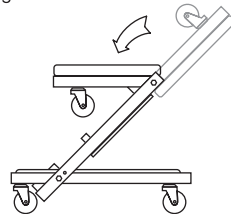


Figure 4 – Adjusting Creeper to Seat configuration

2. Flip Head Frame forward until horizontal.
3. Unlock the spring-loaded Lock Pin by pulling out until disengaged, then reverse steps 1, 2 to convert Creeper Seat into Creeper.

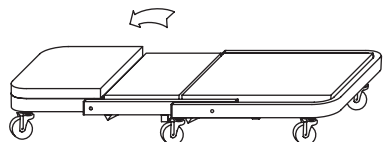


Figure 5 – Adjusting Seat to Creeper configuration

**REPLACEMENT PARTS LIST**

Item	Part No.	Description	Qty
1	PCN-JFCS3915-1	Caster Assembly	6
2	PCN-JFCS3915-2	Hardware Kit	1
3	PCN-JFCS3915-3	Caster with Nut	6

