



58100 10 TON VIKING COLLISION REPAIR KIT

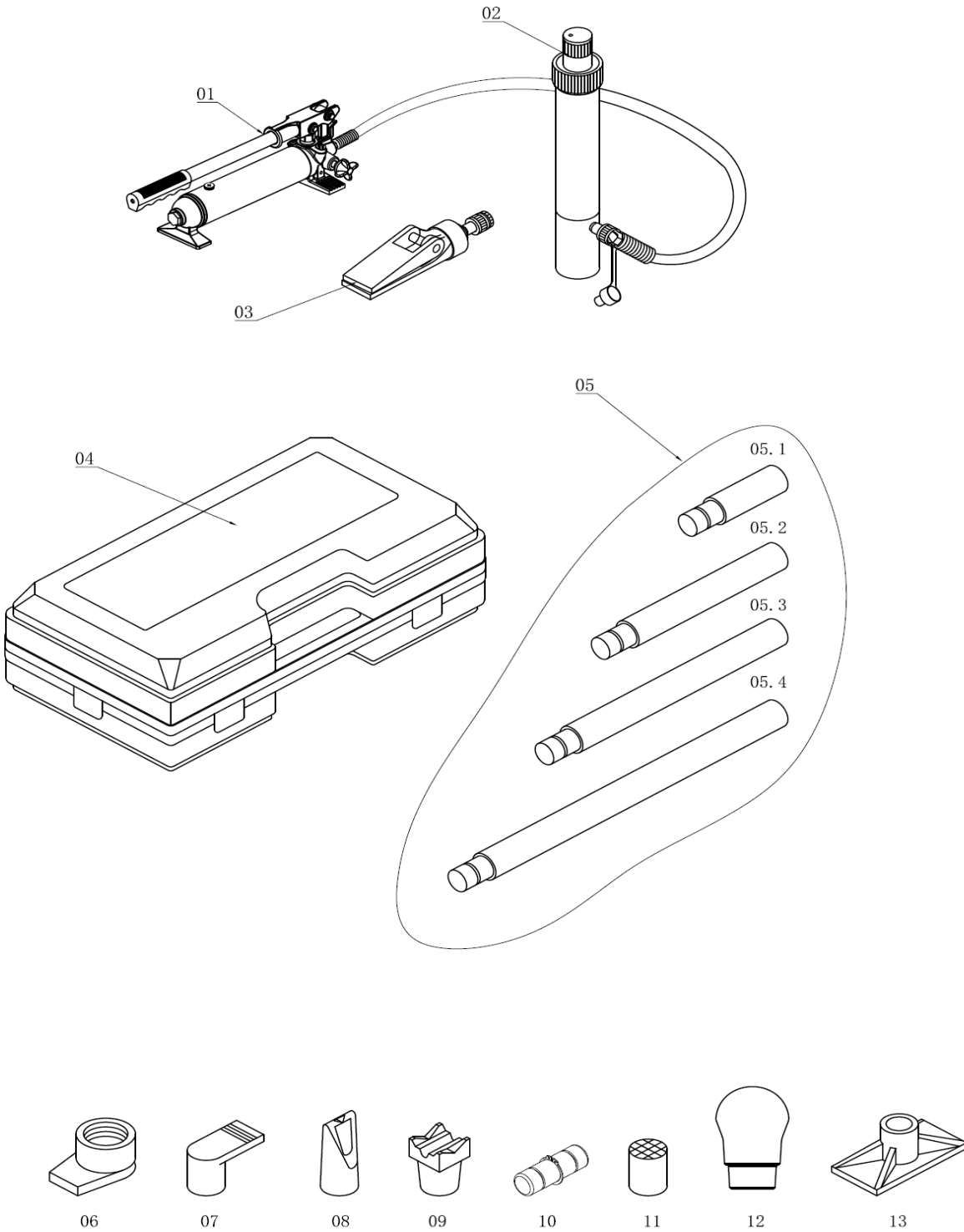
PART NUMBER *	KIT DESCRIPTION	REF #	KIT INCLUDES
58100-01	PUMP	1	PUMP
58100-02	RAM	2	RAM
58100-03	SPREADER	3	SPREADER
58100-04	PLASTIC BLOW CASE	4	PLASTIC BLOW CASE
58100-5.1	EXTENSION TUBE 1	5.1	EXTENSION TUBE 1
58100-5.2	EXTENSION TUBE 2	5.2	EXTENSION TUBE 2
58100-5.3	EXTENSION TUBE 3	5.3	EXTENSION TUBE 3
58100-5.4	EXTENSION TUBE 4	5.4	EXTENSION TUBE 4
58100-6	RAM TOE	6	RAM TOE
58100-7	FLAT SADDLE	7	FLAT SADDLE
58100-8	WEDGE HEAD	8	WEDGE HEAD
58100-9	V BASE	9	V BASE
58100-10	CONNECT PIN	10	CONNECT PIN
58100-11	ROUND SADDLE	11	ROUND SADDLE
58100-12	RUBBER SADDLE	12	RUBBER SADDLE
58100-13	BASE	13	BASE
58100-R01	RAM TOP COVER	R01	RAM TOP COVER
58100-R02	RETAINER RING	R02	RETAINER RING
58100-R12	RAM THREAD COVER	R12	RAM THREAD COVER
58100-R16	FEMALE COUPLER	R16 R07 R15 R17 R18	FEMALE COUPLER
58100-P29	RELEASE VALVE	P29	RELEASE VALVE
58100-P34	HANDLE	P34 P35	HANDLE
58100-P30	OIL HOSE	P30	OIL HOSE
58100-P31	COUPLER	P31 P32	COUPLER
58100-RK	REPAIR KIT		REPAIR KIT

* ONLY PARTS WITH PART ORDER NUMBERS ARE AVAILABLE FOR SALE
PLEASE DO NOT COPY OR DISTRIBUTE THIS MATERIAL WITH OUT PERMISSION OF AFF,INC.



58100 10 TON VIKING COLLISION REPAIR KIT

POWER-KIT

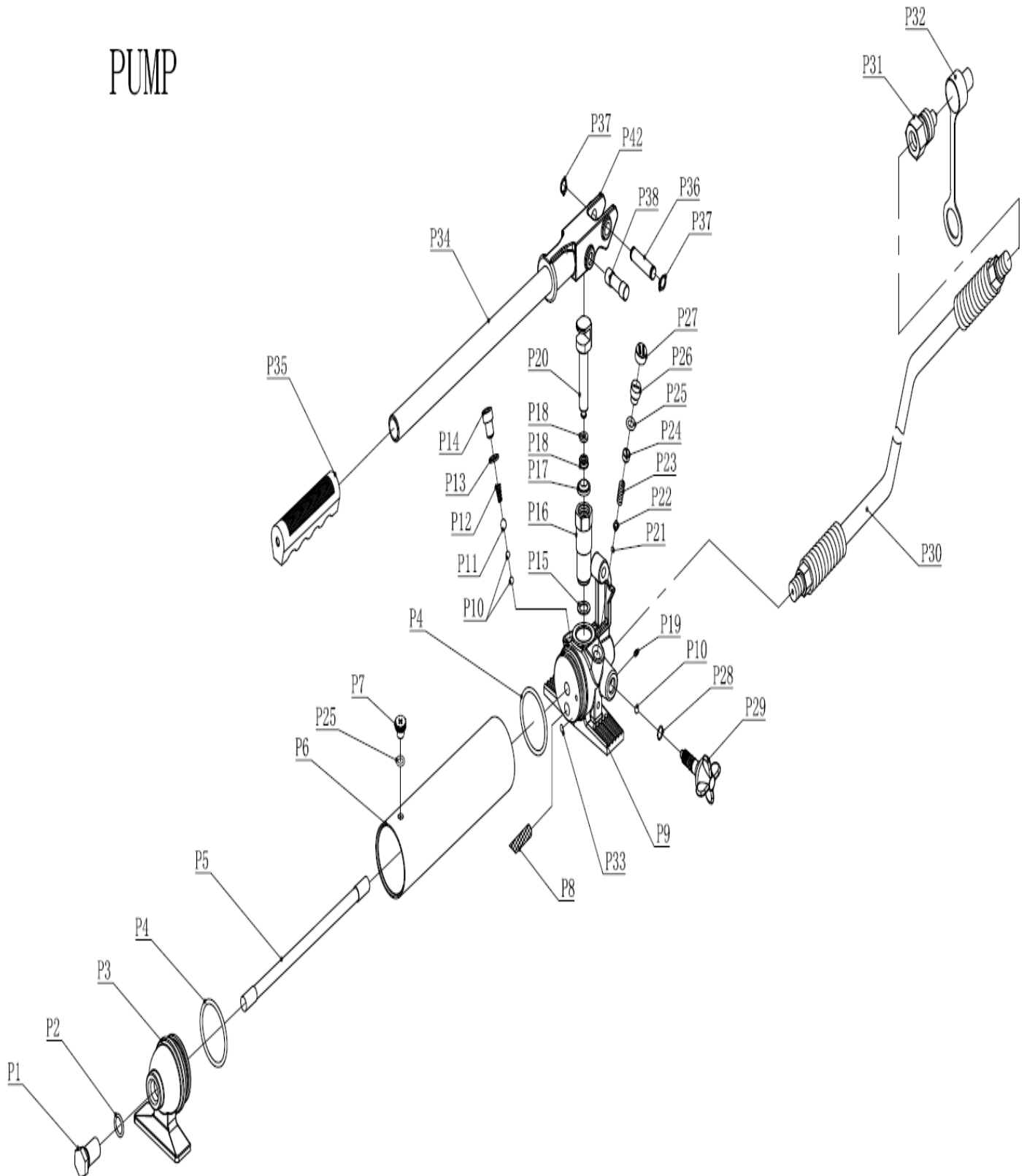


* ONLY PARTS WITH PART ORDER NUMBERS ARE AVAILABLE FOR SALE
PLEASE DO NOT COPY OR DISTRIBUTE THIS MATERIAL WITH OUT PERMISSION OF AFF,INC.



58100 10 TON VIKING COLLISION REPAIR KIT

PUMP

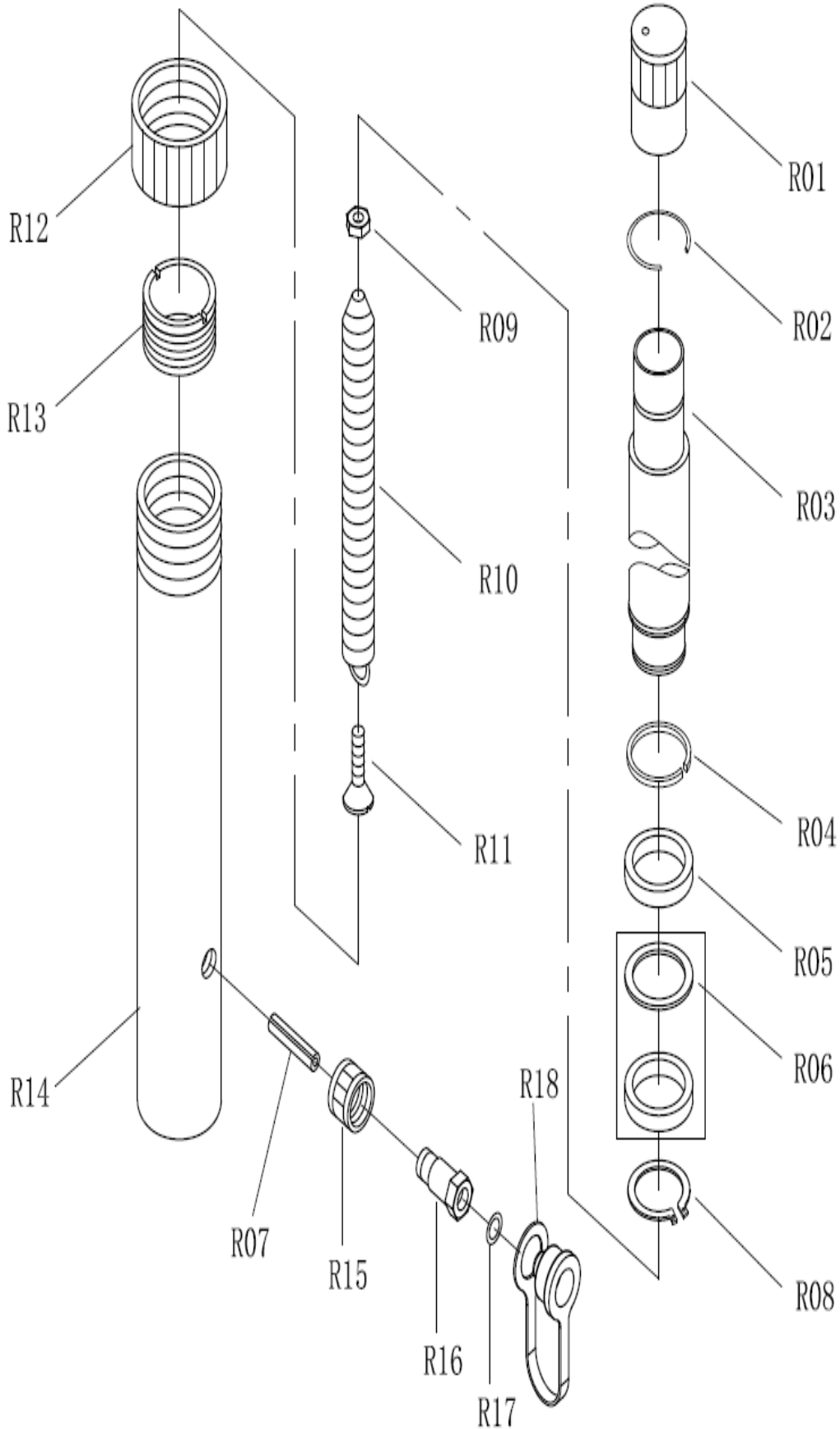


* ONLY PARTS WITH PART ORDER NUMBERS ARE AVAILABLE FOR SALE
PLEASE DO NOT COPY OR DISTRIBUTE THIS MATERIAL WITH OUT PERMISSION OF AFF,INC.



58100 10 TON VIKING COLLISION REPAIR KIT

RAM



* ONLY PARTS WITH PART ORDER NUMBERS ARE AVAILABLE FOR SALE
PLEASE DO NOT COPY OR DISTRIBUTE THIS MATERIAL WITH OUT PERMISSION OF AFF,INC.